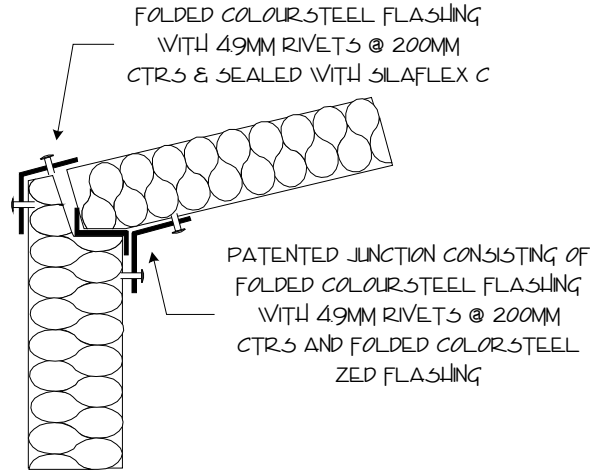
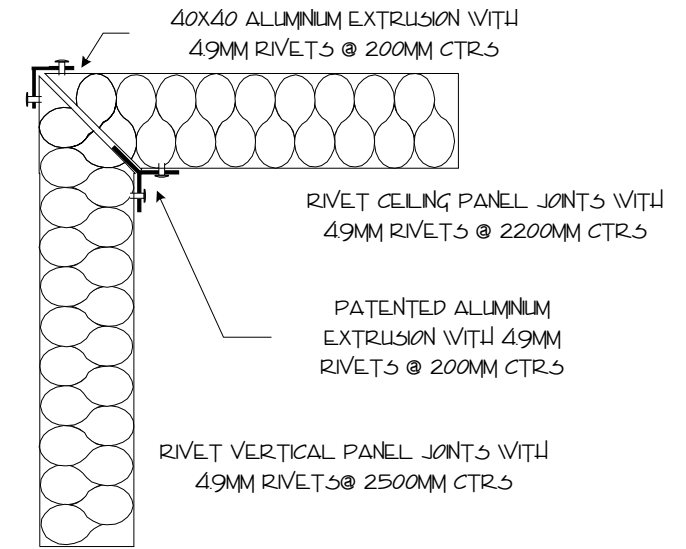


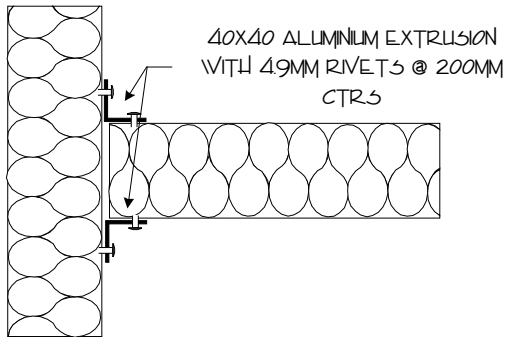
Step Butt Ceiling Junction



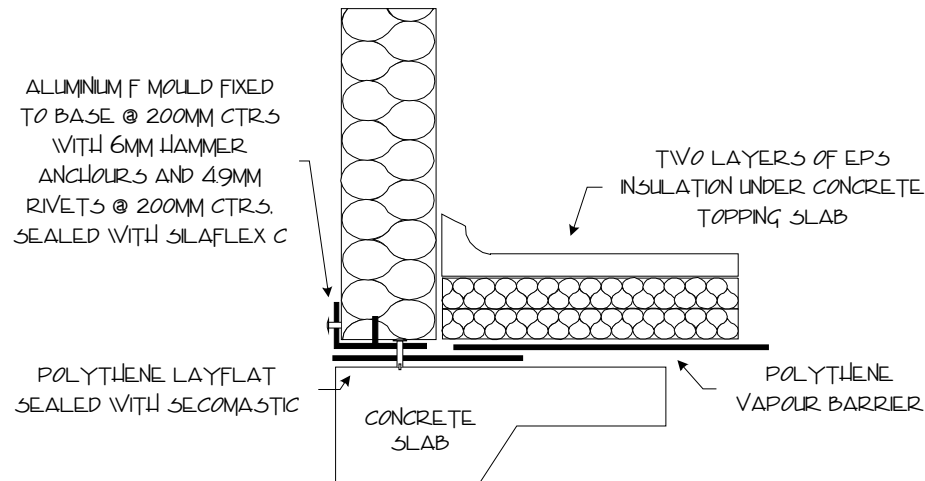
Sloping Roof Junction



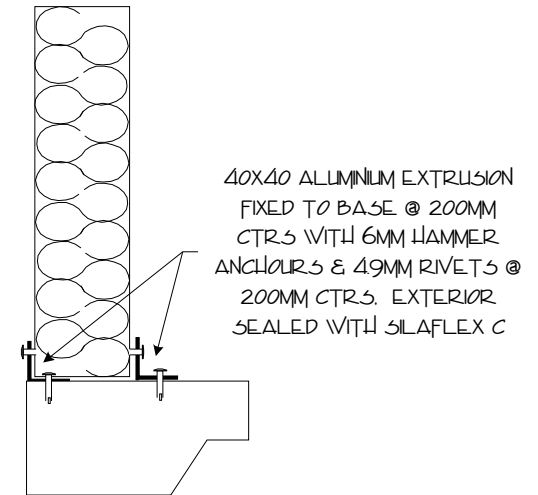
Corner Mitre Junction



Internal Wall Junction



Freezer Wall / Floor Junction



Wall to Floor Junction

Lanwood Industries Ltd

10 Minute Fire Rating Details - EPS Panel Building with no Fire Sprinklers